



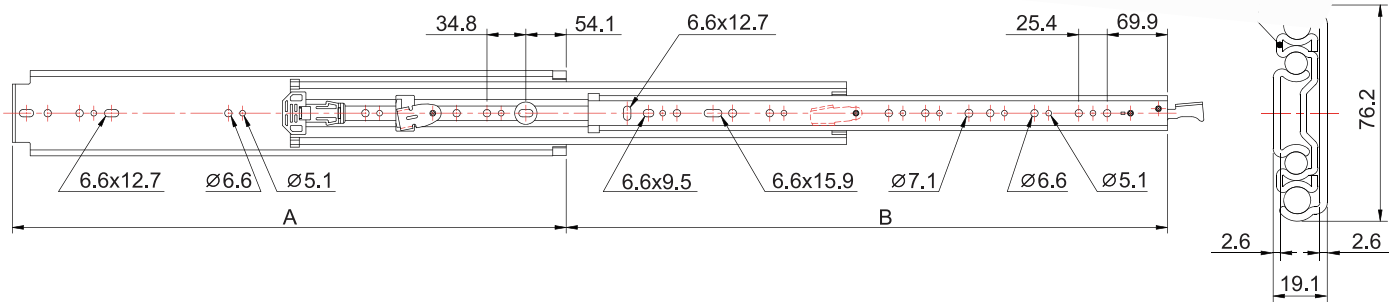
19.1^{+0.4}₋₀
Installation
Space

HIS

Teleskopschienen
zubehör für möbel und industrie

L76121

- The Super Heavy Duty Slides Application
- Emergency Vehicles and Transportation
- Enclosures for Data Storage and Communication
- Machinery and Tool Storage
- **Lock-in / Lock-out**



| Item No. | Slide Length A | | Slide Travel B | |
|-----------|----------------|------|----------------|------|
| | inch | mm | inch | mm |
| L76121-14 | 14" | 356 | 14" | 356 |
| L76121-16 | 16" | 406 | 16" | 406 |
| L76121-18 | 18" | 457 | 18" | 457 |
| L76121-20 | 20" | 508 | 20" | 508 |
| L76121-22 | 22" | 559 | 22" | 559 |
| L76121-24 | 24" | 610 | 24" | 610 |
| L76121-26 | 26" | 660 | 26" | 660 |
| L76121-28 | 28" | 711 | 28" | 711 |
| L76121-30 | 30" | 762 | 30" | 762 |
| L76121-32 | 32" | 813 | 32" | 813 |
| L76121-34 | 34" | 864 | 34" | 864 |
| L76121-36 | 36" | 914 | 36" | 914 |
| L76121-38 | 38" | 965 | 38" | 965 |
| L76121-40 | 40" | 1016 | 40" | 1016 |
| L76121-42 | 42" | 1067 | 42" | 1067 |
| L76121-44 | 44" | 1118 | 44" | 1118 |
| L76121-46 | 46" | 1168 | 46" | 1168 |
| L76121-48 | 48" | 1219 | 48" | 1219 |
| L76121-50 | 50" | 1270 | 50" | 1270 |
| L76121-52 | 52" | 1321 | 52" | 1321 |
| L76121-54 | 54" | 1372 | 54" | 1372 |
| L76121-56 | 56" | 1422 | 56" | 1422 |
| L76121-58 | 58" | 1473 | 58" | 1473 |
| L76121-60 | 60" | 1524 | 60" | 1524 |